

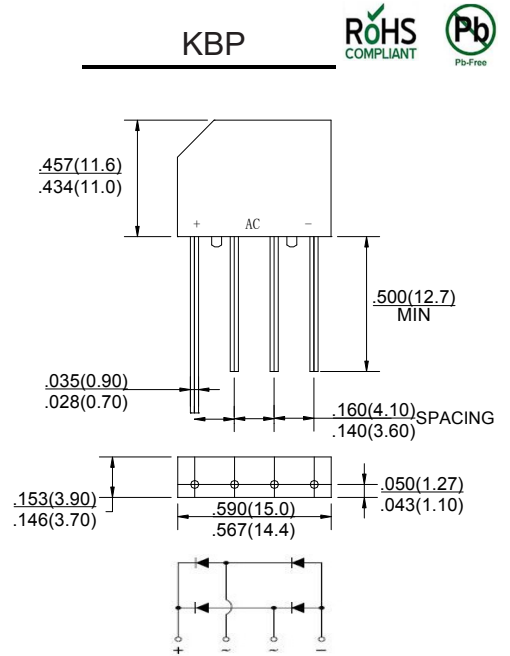
Single Phase 3.0Amp Glass Passivated Bridge Rectifier

Features

- The plastic package carries Underwriters Laboratory Flammability Classification 94V-0
- Ideal for printed circuit boards
- Low reverse leakage
- High forward surge current capability
- High temperature soldering guaranteed:
260°C/10 seconds, 0.375" (9.5mm) lead length,
5 lbs. (2.3kg) tension

Mechanical Data

- Case: Molded plastic body
- Terminals: Plated leads solderable per MIL-STD-750, Method
- Polarity 2026 : Polarity symbols marked on case
- Mounting Position: Any
- Weight : 0.069 ounce, 1.95 grams



Maximum Ratings And Electrical Characteristics

Ratings at 25°C ambient temperature unless otherwise specified. Single phase half-wave 60Hz, resistive or inductive load, for capacitive load current derate by 20%.

Parameter	Symbols	KBP3005	KBP301	KBP302	KBP304	KBP306	KBP308	KBP310	Units
Maximum repetitive peak reverse voltage	V_{RRM}	50	100	200	400	600	800	1000	VOLTS
Maximum RMS voltage	V_{RMS}	35	70	140	280	420	560	700	VOLTS
Maximum DC blocking voltage	V_{DC}	50	100	200	400	600	800	1000	VOLTS
Maximum average forward output rectified current at $T_A=50^\circ\text{C}$	$I_{(AV)}$	3.0							Amps
Peak forward surge current 8.3ms single half sine-wave superimposed on rated load (JEDEC Method)	I_{FSM}	80.0							Amps
Rating for Fusing ($t < 8.3\text{ms}$)	I^2t	26.5							A^2s
Maximum instantaneous forward voltage at 3.0A	V_F	1.0							Volts
Maximum DC reverse current $T_A=25^\circ\text{C}$ at rated DC blocking voltage $T_A=125^\circ\text{C}$	I_R	2 200							μA
Typical Junction Capacitance (Note 1)	C_J	25							pF
Typical Thermal Resistance (Note 2)	R_{qJA}	28							$^\circ\text{C}/\text{W}$
Operating junction temperature range	T_J	-55 to +150							$^\circ\text{C}$
storage temperature range	T_{STG}	-55 to +150							$^\circ\text{C}$

NOTES: 1. Measured at 1.0 MHz and applied reverse voltage of 4.0 Volts.

2. Unit mounted on P.C. board with 0.47" x 0.47" (12x12mm) copper pads, 0.375" (9.5mm) lead length.



Ratings And Characteristic Curves

FIG. 1- DERATING CURVE OUTPUT RECTIFIED CURRENT

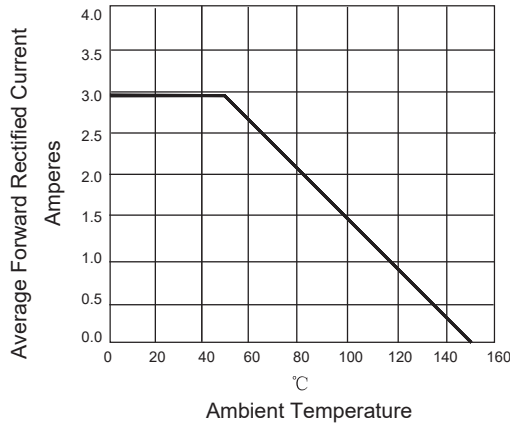


FIG. 2-MAXIMUM NON-REPETITIVE PEAK FORWARD SURGE CURRENT PER LEG

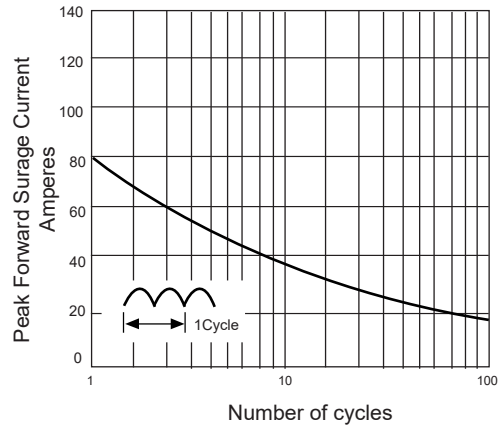


FIG. 3-TYPICAL FORWARD VOLTAGE CHARACTERISTICS

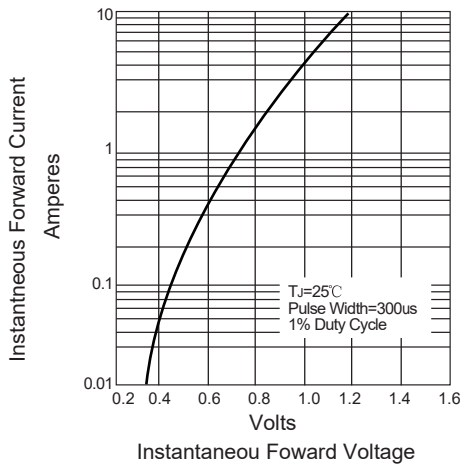


FIG. 4-TYPICAL REVERSE LEAKAGE CHARACTERISTICS

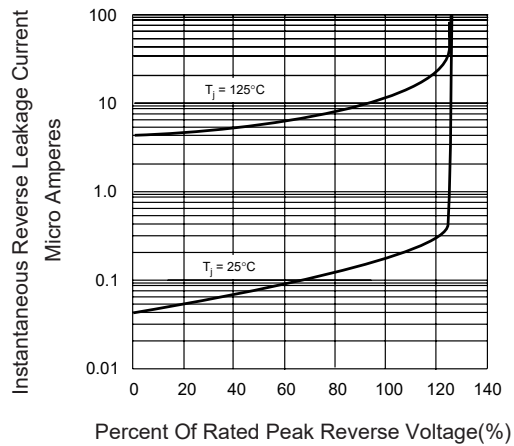
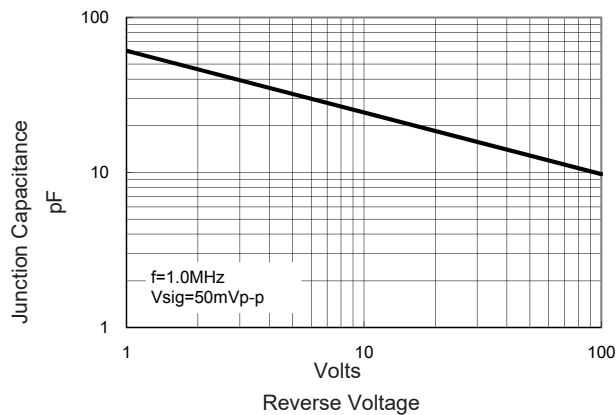
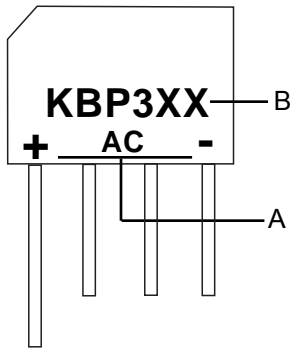


FIG. 5-TYPICAL JUNCTION CAPACITANCE



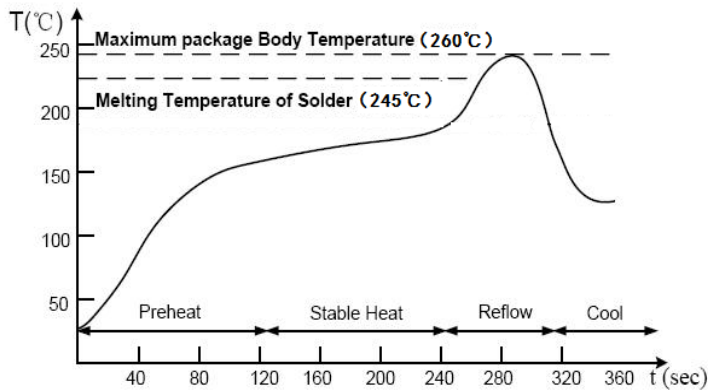


Marking



Symbol	Explanation
A	Polarity Symbol
B	Product Name,X : 005.01.....10

Suggested Soldering Temperature Profile



Note

- Recommended reflow methods: IR, vapor phase oven, hot air oven, wave solder.
- The device can be exposed to a maximum temperature of 260°C for 10 seconds.
- Devices can be cleaned using standard industry methods and solvents.
- If reflow temperatures exceed the recommended profile, devices may not meet the performance requirements.